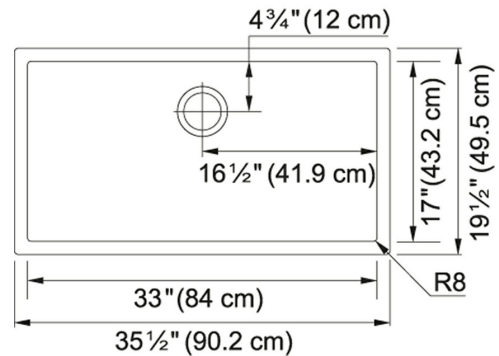


# WORKCENTER KITCHEN SINK

Stainless Steel | 122.0672.204

FAMILY : Sinks | SERIES : Professional 2 | FINISH : Stainless Steel | INSTALLATION TYPE : Undermount | MODEL : PS2X110-33-WKC



## WORK SMARTLY

The stylish Professional 2.0 Workcenter features a stainless steel colander, a maple chopping board, and a bottom grid. All these essential tools for food preparation are close at hand for when you need them.

## FEATURES

- **Accessories Included:** Bottom Grid, Colander, Cutting Board, Strainer Basket and Drain Cover
- **Reveal Accessory Ledge:** Sink is installed as an undermount with a 0.5-in reveal so that custom-fit accessories can work within the sink to create a seamless workflow while prepping meals.
- **Seamless Drain Cover:** The removable drain cover was designed to sit flush over the drain to keep glassware from tipping over and to maximize the usable bottom surface of the bowl. Drain cover included.
- **Deep Capacity Bowl:** A large deep bowl makes it easy to clean cookware items and minimizes splashing, offering the form and function you expect from your sink.
- **Undermount Installation:** Fitted underneath the counter, it gives an edgeless finish that is easy to clean.

## TECHNICAL DATA

Width overall	19 1/2"
Length overall	35 1/2"
Width of large bowl	17"
Length of large bowl	33"
Depth of large bowl	10"
Cut-Out Template	Yes
Cabinet Size	39"
Number of Bowls	1
Waste Outlet Diameter	3 1/2"
Type of Material	16 Gauge Stainless Steel
Accessories included	YES

# WORKCENTER KITCHEN SINK

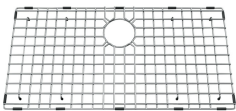
Stainless Steel | 122.0672.204

FAMILY : Sinks | SERIES : Professional 2 | FINISH : Stainless Steel | INSTALLATION TYPE : Undermount | MODEL : PS2X110-33-WKC

---

## ACCESSORIES

---



---

112.0531.747

---



---

112.0334.171

---



---

112.0055.508

---



---

112.0532.169

---



---

112.0653.055

---